



Desiccant Drying

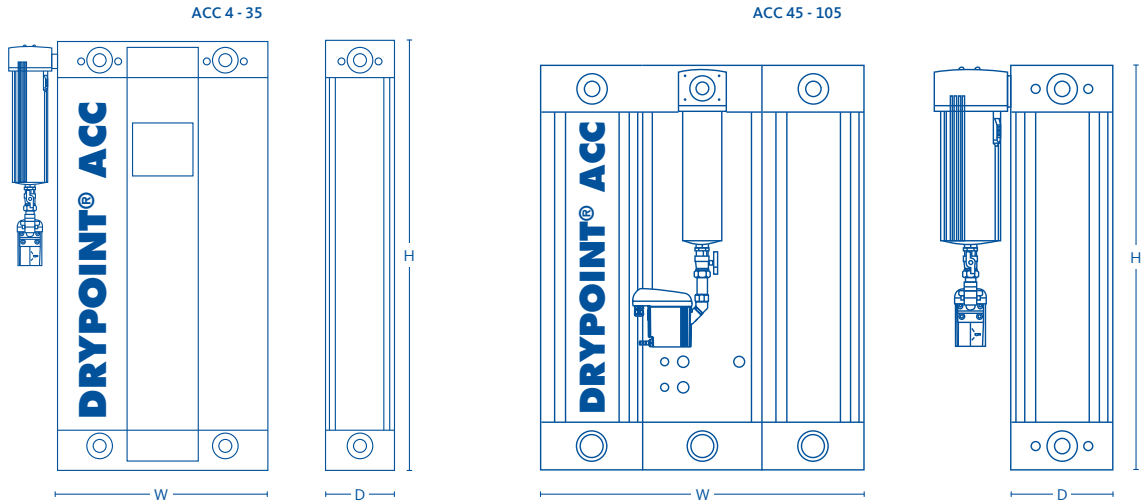
DRYPOINT® X

efficient low dew point desiccant drying

- › ACC compact heatless desiccant air dryers
- › XCe economy heatless desiccant air dryers
- › XCp premium heatless desiccant air dryers
- › XFe economy heated blower desiccant air dryers
- › XFi ecoIntelligent heated blower desiccant air dryers
- › ACH heated purge desiccant air dryers
- › AC HP heatless high pressure desiccant air dryers

DRYPOINT® ACC Compact Heatless Desiccant Dryers

with pre-filtration included and post-filter integrated



DRYPOINT® ACC	ACC 4	ACC 6	ACC 8	ACC 10	ACC 15	ACC 25	ACC 35
Flow Rate at -40 °F (scfm)	4	6	8	10	15	25	35
Flow Rate at -100 °F (scfm)	3	4	6	7	11	18	25
Connection Size (NPT)	3/8"	3/8"	3/8"	3/8"	3/8"	3/8"	3/8"
Dimensions and Weight							
H x W x D (inches)	18 x 11 x 4	20 x 11 x 4	22 x 11 x 4	25 x 11 x 4	32 x 11 x 4	42 x 11 x 4	58 x 11 x 4
Weight (lbs)	29	31	33	36	43	53	68

WITH FLOAT DRAIN

Order ref.	4022746	4022748	4012623	4012625	4012626	4012627	4012628
Price (\$)	\$1,859	\$1,972	\$2,142	\$2,310	\$2,592	\$3,548	\$4,473

WITH BEKOMAT®

Order ref.	4022749	4022750	4012639	4012640	4012641	4012642	4012643
Price (\$)	\$2,029	\$2,142	\$2,310	\$2,479	\$2,760	\$3,718	\$4,642

ECO CHOICE

Price Group 62

OPTIONAL

PC Connection Software	4007926
Price (\$)	\$292
Wall Mounting Bracket	4008702
Price (\$)	\$235
Floor Mounting Bracket	4009870
Price (\$)	\$235

Price Group 69

- › Standard pressure dew point: -40 °F
- › Optional pressure dew point: -100 °F
- › Standard intelligent power supply: 12 - 24 VDC/ 100 - 240 VAC; 50/60 Hz
- › Min. / max. air inlet temperature: 35 °F / 120 °F
- › Min. / max. ambient temperature: 41 °F / 120 °F
- › Min. / max. operating pressure: 58 / 232 psig

Maintenance Interval: < 8,000 hours
Maintenance and Spare Parts: Page 86

DRYPOINT® ACC	ACC 45	ACC 55	ACC 65	ACC 85	ACC 105
Flow Rate at -40 °F (scfm)	45	55	65	85	105
Flow Rate at -100 °F (scfm)	32	39	46	60	74
Connection Size (NPT)	¾"	¾"	¾"	1"	1"
Dimensions and Weight					
H x W x D (inches)	28 x 11 x 7	32 x 21 x 7	36 x 21 x 7	44 x 21 x 7	56 x 21 x 7
Weight (lbs)	117	130	141	165	200
WITH FLOAT DRAIN					
Order ref.	4012629	4012630	4012631	4012632	4012633
Price (\$)	\$4,785	\$5,140	\$5,341	\$5,917	\$8,124
WITH BEKOMAT®					
Order ref.	4012644	4012645	4012646	4012647	4012648
Price (\$)	\$4,943	\$5,301	\$5,432	\$5,921	\$8,256
					ECO CHOICE
Price Group 62					
OPTIONAL					
PC Connection Software	4007926				
Price (\$)	\$292				
Price Group 69					

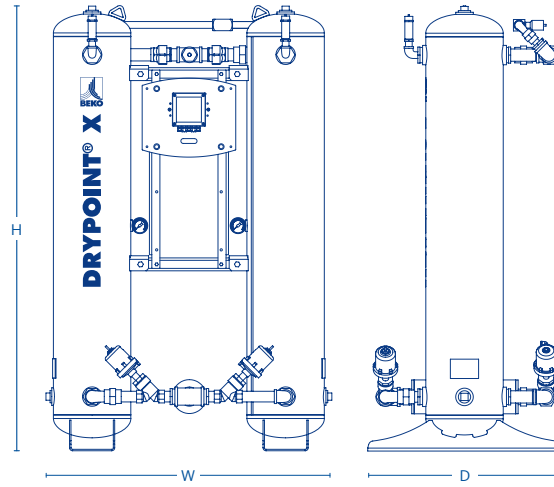
Correction Factors

Operating Pressure (psig)	60	70	80	90	100	110	120	130	140	150
Correction Factor	.65	.73	.82	.91	1.00	1.09	1.17	1.26	1.35	1.44
Inlet Air Temperature °F	80	85	90	95	100	105	110	115	120	
Correction Factor	1.07	1.06	1.05	1.03	1.00	.94	.88	.78	.67	

The correction factors on this page provide an estimation of the performance that can be achieved with the model sizes shown. For precise sizing for your application, please contact your BEKO Technologies sales representative.

DRYPOINT® XCe Economy Heatless Desiccant Dryers

with basic controller and slanted seat valves



DRYPOINT® XCe	XCe 80	XCe100	XCe 120	XCe 160	XCe 200	XCe 250
Connection Size (NPT)	¾"	1"	1"	1¼"	1¼"	1½"
Flow Rate (scfm)	80	100	120	160	200	250
Dimensions and Weight						
H x W x D (inches)	54 x 37 x 21	66 x 38 x 23	66 x 38 x 23	68 x 40 x 26	68 x 40 x 26	69 x 45 x 30
Empty Weight (lbs)	232	217	218	320	320	413
Total Fill (lbs)	132	167	167	262	262	384

WITHOUT FILTERS

Order ref.	4026930	4026931	4026932	4026933	4026934	4026935
Price (\$)	\$6,237	\$6,543	\$6,771	\$7,296	\$8,101	\$8,598

WITH MOUNTED FILTERS

Order ref.	4027010	4027011	4027012	4027013	4027014	4027015
Price (\$)	\$7,231	\$7,593	\$8,053	\$8,768	\$9,651	\$10,699

WITH MOUNTED FILTERS AND 3-VALVE BYPASS

Order ref.	4032017	4032018	4032019	4032020	4032021	4032022
Price (\$)	\$7,502	\$7,918	\$8,556	\$9,335	\$10,273	\$11,015

Price Group 60

REQUIRED FILTRATION (SHIPPED LOOSE, NOT MOUNTED)

Pre-Filter .01 µm	4003404	4020388	4020388	4003524	4007053	4003405
Price (\$)	\$383	\$410	\$410	\$435	\$492	\$641
Post-Filter 1 µm	4021029	4021030	4021030	4021031	4024402	4021032
Price (\$)	\$326	\$340	\$340	\$356	\$412	\$585

Price Group 82

OPTIONAL EQUIPMENT

Drain Upgrade to BEKOMAT®	4047670
Price (\$)	\$276
Stainless Steel Tubing	4048882
Price (\$)	\$1,420

Price Group 12

- › Standard outlet pressure dew point: -40 °F
- › Optional outlet pressure dew point: -100 °F
- › Electrical power supply: 120 VAC | 50 - 60Hz
- › Required pre-filtration grade SX: .01 µm | Required post-filtration grade FX: 1 µm
- › cULus listed controller with NEMA 4 indoor rating
- › ASME / CRN coded vessels
- › Min. / max. inlet air temperature: 40 °F / 120 °F
- › Min. / max. operating pressure: 60 / 150 psig

Maintenance Interval: < 8,000 hours
Maintenance and Spare Parts: Page 82

DRYPOINT® XCe	XCe 300	XCe 400	XCe 500	XCe 650	XCe 800
Connection Size (NPT)	1½"	2"	2"	2½"	2½"
Flow Rate (scfm)	300	400	500	650	800
Dimensions and Weight					
H x W x D (inches)	69 x 45 x 30	71 x 49 x 35	73 x 53 x 36	74 x 57 x 40	71 x 61 x 43
Empty Weight (lbs)	412	594	717	871	925
Total Fill (lbs)	384	539	715	917	1,114

WITHOUT FILTERS					
Order ref.	4026936	4026937	4026938	4026939	4026940
Price (\$)	\$9,583	\$11,065	\$12,442	\$14,803	\$17,948

WITH MOUNTED FILTERS					
Order ref.	4027016	4027017	4027018	4027019	4027020
Price (\$)	\$11,860	\$13,516	\$15,602	\$19,245	\$22,605

WITH MOUNTED FILTERS AND 3-VALVE BYPASS					
Order ref.	4032023	4032024	4032025	4032026	4032027
Price (\$)	\$12,175	\$13,949	\$16,311	\$20,546	\$23,972

Price Group 60

REQUIRED FILTRATION (SHIPPED LOOSE, NOT MOUNTED)					
Pre-Filter .01 µm	4014542	4003406	4003406	4021904	4021904
Price (\$)	\$697	\$820	\$820	\$1,819	\$1,819
Post-Filter 1 µm	4021033	4007876	4007876	4021036	4021036
Price (\$)	\$649	\$810	\$810	\$1,760	\$1,760

Price Group 82

OPTIONAL EQUIPMENT					
Drain Upgrade to BEKOMAT®			4047670		
Price (\$)			\$276		
Stainless Steel Tubing			4048882		
Price (\$)			\$1,420		

Price Group 12

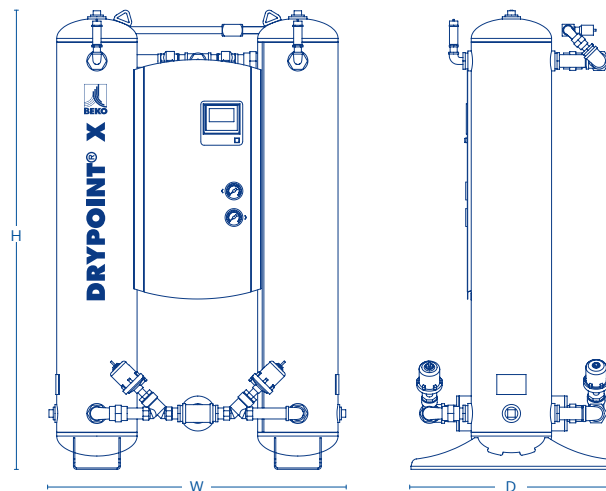
Correction Factors

Operating Pressure (psig)	60	70	80	90	100	110	120	130	140	150	Inlet Air Temperature °F	90	95	100	105	110	115	120
Correction Factor	0.65	0.74	0.82	0.91	1.00	1.09	1.17	1.22	1.25	1.30	Correction Factor	1.07	1.04	1.00	0.92	0.84	0.77	0.70

The correction factors on this page provide an estimation of the performance that can be achieved with the model sizes shown. For precise sizing for your application, please contact your BEKO Technologies sales representative.

DRYPOINT® XCp Premium Heatless Desiccant Dryers

with standard humidity demand control and BEKOTOUCH interface



DRYPOINT® XCp	XCp 80	XCp 100	XCp 120	XCp 160	XCp 200	XCp 250	XCp 300	XCp 400	XCp 500
Connection Size (NPT)	¾"	1"	1"	1¼"	1¼"	1½"	1½"	2"	2"
Flow Rate (scfm)	80	100	120	160	200	250	300	400	500
Dimensions and Weight									
H x W x D (inches)	54 x 37 x 21	66 x 38 x 23	66 x 38 x 23	68 x 40 x 26	68 x 40 x 26	69 x 45 x 30	69 x 45 x 30	71 x 49 x 35	73 x 53 x 36
Empty Weight (lbs)	251	236	237	339	339	433	432	613	736
Total Fill (lbs)	132	167	167	262	262	384	384	539	715

WITHOUT FILTERS

Order ref.	4026941	4026942	4026943	4026944	4026945	4026946	4026947	4026948	4026949
Price (\$)	\$9,266	\$9,668	\$9,954	\$10,579	\$11,595	\$12,558	\$13,593	\$15,096	\$17,095

WITH MOUNTED FILTERS

Order ref.	4027494	4027495	4027496	4027497	4027498	4027499	4027500	4027501	4027502
Price (\$)	\$10,354	\$10,828	\$11,235	\$12,050	\$13,146	\$14,659	\$15,870	\$17,548	\$20,256

WITH MOUNTED FILTERS AND 3-VALVE BYPASS

Order ref.	4029343	4029524	4032028	4032029	4029557	4032030	4032031	4032032	4030934
Price (\$)	\$10,552	\$11,111	\$11,737	\$12,617	\$13,767	\$15,290	\$16,501	\$18,413	\$20,694

Price Group 60

REQUIRED FILTRATION (SHIPPED LOOSE, NOT MOUNTED)

Pre-Filter .01 µm	4003404	4020388	4020388	4003524	4007053	4003405	4014542	4003406	4003406
Price (\$)	\$383	\$410	\$410	\$435	\$492	\$641	\$697	\$820	\$820
Post-Filter 1 µm	4021029	4021030	4021030	4021031	4024402	4021032	4021033	4007876	4007876
Price (\$)	\$326	\$340	\$340	\$356	\$412	\$585	\$649	\$810	\$810

Price Group 82

Correction Factors

Operating Pressure (psig)	60	70	80	90	100	110	120	130	140	150	Inlet Air Temperature °F	90	95	100	105	110	115	120
Correction Factor	0.65	0.74	0.82	0.91	1.00	1.09	1.17	1.22	1.25	1.30	Correction Factor	1.07	1.04	1.00	0.92	0.84	0.77	0.70

The correction factors above provide an estimation of the performance that can be achieved with the model sizes shown. For precise sizing for your application, please contact your BEKO Technologies sales representative.

Flow Rate at -40 °F PDP (scfm)	80	100	120	160	200	250	300	400	500
Correction Factor for -100 °F PDP	0.8								

Sizing for -100 °F outlet PDP applications must be done by a product specialist. Please consult your BEKO Technologies representative for details and sizing assistance.

- › Standard outlet pressure dew point: -40 °F
- › Optional outlet pressure dew point*: -100 °F
- › Electrical power supply: 120 VAC | 50 - 60Hz
- › Required pre-filtration grade SX: .01 µm | Required post-filtration grade FX: 1 µm
- › cULus listed controller with NEMA 4 indoor rating
- › ASME / CRN coded vessels
- › Min. / max. inlet air temperature: 40 °F / 120 °F
- › Min. / max. operating pressure: 60 / 150 psig

Maintenance Interval: < 8,000 hours
 Maintenance and Spare Parts: Page 82

OPTIONAL EQUIPMENT

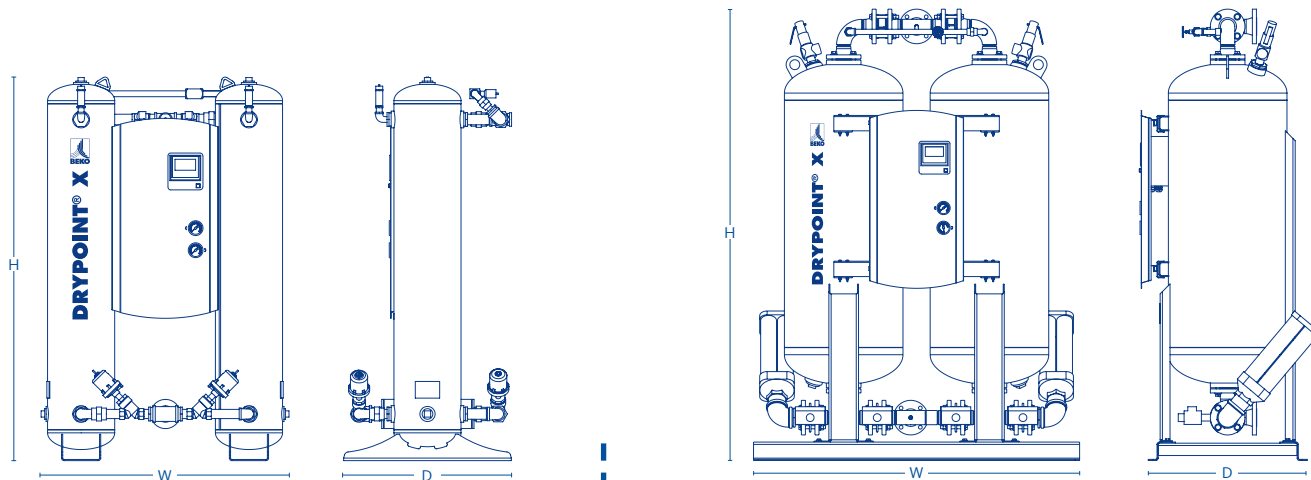
DRYPOINT® XCp	XCp 80	XCp 100	XCp 120	XCp 160	XCp 200	XCp 250	XCp 300	XCp 400	XCp 500
Drain Upgrade to BEKOMAT®					4047670				
Price (\$)					\$276				
Price Group 12									
Stainless Steel Tubing					4048557				
Price (\$)					\$1,420				
Dryer Outdoor Protection Package (above +32 °F)					4048559				
Price (\$)					\$1,722				
Dryer Outdoor Protection Package (down to -20 °F)				4048561				4048562	
Price (\$)				\$5,456				\$6,020	
Dryer and Filter Outdoor Protection Package (down to -20 °F)				4048564				4048565	
Price (\$)				\$7,179				\$8,070	
-100 °F Outlet Pressure Dew Point*		4048567				4048568		4048569	
Price (\$)		\$667				\$712		\$776	
Dew Point Monitor with Display for -40 °F					4028343				
Price (\$)					\$2,054				
Dew Point Monitor with Display for -100 °F*					4040512				
Price (\$)					\$3,898				
Failure to Switch Pressure Alarm					4029530				
Price (\$)					\$487				
Δp Filter Alarm with Gauge					4029531				
Price (\$)					\$428				
MODBUS Communication Package					4047031				
Price (\$)					\$318				
Pneumatic Controls with Stainless Steel Tubing					4048908				
Price (\$)					\$2,670				

Price Group 63

*See required correction factors on page 70. Optional dew point monitor with display for -100 °F does not provide for dew point demand control.

DRYPOINT® XCp Premium Heatless Desiccant Dryers

with standard humidity demand control and BEKOTOUCH interface



DRYPOINT® XCp	XCp 650	XCp 800	XCp 1000	XCp 1200	XCp 1500	XCp 1900	XCp 2300	XCp 2800
Connection Size (NPT)	2½"	2½"	2½" Flange	2½" Flange	3" Flange	3" Flange	4" Flange	4" Flange
Flow Rate (scfm)	650	800	1000	1200	1500	1900	2300	2800
Dimensions and Weight								
H x W x D (inches)	74 x 57 x 40	71 x 61 x 43	90 x 66 x 32	91 x 66 x 37	91 x 72 x 44	96 x 72 x 44	103 x 78 x 48	103 x 78 x 48
Empty Weight (lbs)	892	944	1,490	1,792	2,814	2,814	4,168	4,168
Total Fill (lbs)	917	1,114	1,120	1,355	1,840	2,110	3,125	3,125

WITHOUT FILTERS

Order ref.	4026950	4026951	4029915	4029916	4029917	4029918	4029919	4029920
Price (\$)	\$19,186	\$23,125	\$26,101	\$29,066	\$34,794	\$38,066	\$46,473	\$50,772

WITH MOUNTED FILTERS

Order ref.	4027503	4027504	4029921	4029922	4029923	4029924	4029925	4029926
Price (\$)	\$23,900	\$27,934	\$31,713	\$34,995	\$43,265	\$47,807	\$61,735	\$66,866

WITH MOUNTED FILTERS AND 3-VALVE BYPASS

Order ref.	4032033	4032034	4029927	4029928	4029929	4029930	4029931	4029932
Price (\$)	\$25,484	\$29,423	\$33,407	\$36,689	\$45,171	\$49,714	\$64,817	\$70,487

Price Group 60

REQUIRED FILTRATION (SHIPPED LOOSE, NOT MOUNTED)

Pre-Filter .01 µm	4020558	4020558	4020558	4047760	4007153	4021297	4020762	4020762
Price (\$)	\$1,992	\$1,992	\$1,992	\$2,189	\$2,362	\$2,735	\$6,481	\$6,481
Post-Filter 1 µm	4021036	4021036	4021036	4030249	4021037	4043755	4021056	4021056
Price (\$)	\$1,933	\$1,933	\$1,933	\$2,131	\$2,303	\$2,676	\$6,481	\$6,481

Price Group 82

Correction Factors

Operating Pressure (psig)	60	70	80	90	100	110	120	130	140	150	Inlet Air Temperature °F	90	95	100	105	110	115	120
Correction Factor	0.65	0.74	0.82	0.91	1.00	1.09	1.17	1.22	1.25	1.30	Correction Factor	1.07	1.04	1.00	0.92	0.84	0.77	0.70

The correction factors above provide an estimation of the performance that can be achieved with the model sizes shown. For precise sizing for your application, please contact your BEKO Technologies sales representative.

Flow Rate at -40 °F PDP (scfm)	650	800	1000	1200	1500	1900	2300	2800
Correction Factor for -100 °F PDP	0.8							

- › Standard outlet pressure dew point: -40 °F
- › Optional outlet pressure dew point*: -100 °F
- › Electrical power supply: 120 VAC | 50 - 60Hz
- › Required pre-filtration grade SX: .01 µm | Required post-filtration grade FX: 1 µm
- › cULus listed controller with NEMA 4 indoor rating
- › ASME / CRN coded vessels
- › Min. / max. inlet air temperature: 40 °F / 120 °F
- › Min. / max. operating pressure: 60 / 150 psig

Maintenance Interval: < 8,000 hours
 Maintenance and Spare Parts: Page 82

OPTIONAL EQUIPMENT

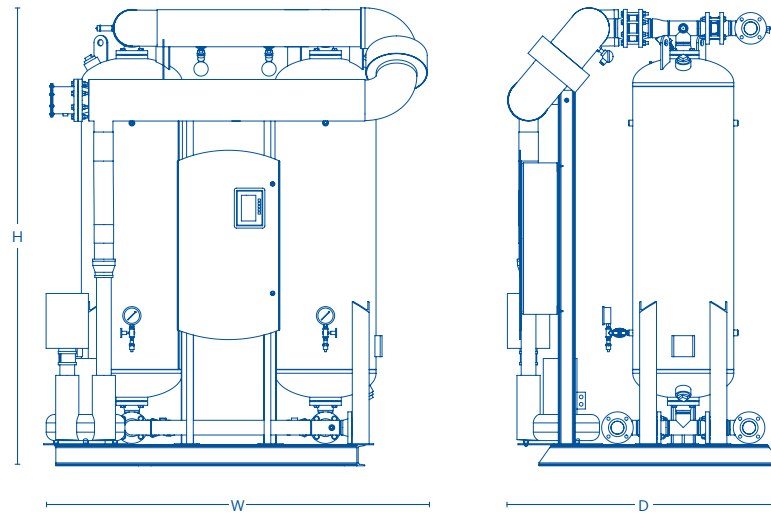
DRYPOINT® XcP	XcP 650	XcP 800	XcP 1000	XcP 1200	XcP 1500	XcP 1900	XcP 2300	XcP 2800
Stainless Steel Tubing	4048557		4048558					
Price (\$)	\$1,420		\$1,650					
Dryer Outdoor Protection Package (above +32 °F)	4048559		4048560					
Price (\$)	\$1,722		\$2,268					
Dryer Outdoor Protection Package (down to -20 °F)	4048563		4048938		4048939		4048940	
Price (\$)	\$6,548		\$7,958		\$9,409		\$9,984	
Dryer and Filter Outdoor Protection Package (down to -20 °F)	4048566		4048941		4048942		4048943	
Price (\$)	\$8,833		\$11,108		\$12,709		\$13,434	
-100 °F Outlet Pressure Dew Point*	4048569		4048947		4048948		4048949	
Price (\$)	\$776		\$2,792		\$2,957		\$3,417	
Dew Point Monitor with Display for -40 °F			4028343					
Price (\$)			\$2,054					
Dew Point Monitor with Display for -100 °F*			4040512					
Price (\$)			\$3,898					
Failure to Switch Pressure Alarm			4029530					
Price (\$)			\$487					
Δp Filter Alarm with Gauge			4029531					
Price (\$)			\$428					
MODBUS Communication Package			4047031					
Price (\$)			\$318					
Pneumatic Controls with Stainless Steel Tubing	4048908		4048937					
Price (\$)	\$2,670		\$3,509					

Price Group 63

*See required correction factors on page 72. Optional dew point monitor with display for -100 °F does not provide for dew point demand control.

DRYPOINT® XFe Economy Heated Blower Desiccant Dryers

with externally operated blower, high performance valves and BEKOTOUCH 2 interface



DRYPOINT® XFe	XFe 800	XFe 1000	XFe 1200	XFe 1500	XFe 1800
Connection Size (NPT)	2½" Flange	2½" Flange	3" Flange	3" Flange	4" Flange
Flow Rate (scfm)	800	1000	1200	1500	1800
Dimensions and Weight					
H x W x D (inches)	104 x 77 x 60	106 x 81 x 63	109 x 92 x 70	94 x 91 x 73	110 x 97 x 76
Empty Weight (lbs)	3,600	4,050	4,700	5,852	6,957
Total Fill (lbs)	1,260	1,570	1,890	2,370	2,840

WITHOUT FILTERS

Order ref.	4034850	4034856	4034862	4034868	4034874
Price (\$)	\$41,006	\$47,250	\$52,995	\$59,622	\$67,288

WITH MOUNTED FILTERS

Order ref.	4034851	4034857	4034863	4034869	4034875
Price (\$)	\$45,728	\$52,409	\$58,628	\$65,300	\$81,000

WITH MOUNTED FILTERS AND 3-VALVE BYPASS

Order ref.	4034852	4034858	4034864	4034870	4034876
Price (\$)	\$49,438	\$56,246	\$62,717	\$69,772	\$86,270

Price Group 60

REQUIRED FILTRATION (SHIPPED LOOSE, NOT MOUNTED)

Pre-Filter .01 µm	4020558	4020558	4007153	4007153	4020750
Price (\$)	\$1,992	\$1,992	\$2,362	\$2,362	\$5,418
Post-Filter 1 µm	4021036	4021036	4021037	4021037	4032234
Price (\$)	\$1,933	\$1,933	\$2,303	\$2,303	\$5,043

Price Group 82

OPTIONAL EQUIPMENT

Dew Point Demand Control			4034925		
Price (\$)			\$2,054		
Δp Filter Alarm with Gauge			4029531		
Price (\$)			\$428		
Valve Position Indicators			4034919		
Price (\$)			\$901		
Tower Insulation (indoor only)	4034853	4034859	4034865	4034871	4034877
Price (\$)	\$2,512	\$2,680	\$2,834	\$2,834	\$3,628

Price Group 63

- › Standard outlet pressure dew point: -40 °F
- › Optional outlet pressure dew point: -100 °F
- › Electrical power supply: 460 VAC / 3 Ph / 60 Hz
- › Required pre-filtration grade SX: .01 µm | Required post-filtration grade FX: 1 µm
- › cUL certified controls with NEMA 4 indoor rating
- › Min. / max. inlet air temperature: 40 °F / 120 °F
- › Min. / max. ambient temperature: 40 °F / 120 °F
- › Min. / max. operating pressure: 60 / 150 psig

Maintenance Interval: < 8,000 hours
Maintenance and Spare Parts: Page 82

DRYPOINT® XFe	XFe 2300	XFe 2800	XFe 3300	XFe 4000	XFe 5000	XFe 6000
Connection Size (NPT)	4" Flange	4" Flange	6" Flange	6" Flange	6" Flange	6" Flange
Flow Rate (scfm)	2300	2800	3300	4000	5000	6000
Dimensions and Weight						
H x W x D (inches)	103 x 120 x 97	117 x 133 x 86	118 x 143 x 96	131 x 133 x 100	129 x 143 x 100	129 x 158 x 103
Empty Weight (lbs)	8,763	10,539	12,419	16,089	16,089	23,456
Total Fill (lbs)	3,640	4,390	5,180	6,260	7,820	9,380

WITHOUT FILTERS						
Order ref.	4034880	4034886	4034892	4034898	4034904	4034910
Price (\$)	\$75,899	\$89,520	\$102,952	\$126,626	\$136,250	\$155,268

WITH MOUNTED FILTERS						
Order ref.	4034881	4034887	4034893	4034899	4034905	4034911
Price (\$)	\$93,174	\$107,178	\$123,822	\$148,568	\$162,364	\$187,021

WITH MOUNTED FILTERS AND 3-VALVE BYPASS						
Order ref.	4034882	4034888	4034894	4034900	4034906	4034912
Price (\$)	\$96,531	\$111,215	\$128,009	\$152,754	\$166,288	\$191,315

Price Group 60

REQUIRED FILTRATION (SHIPPED LOOSE, NOT MOUNTED)						
Pre-Filter .01 µm	4020762	4020762	4045133	4047776	4047776	4047776
Price (\$)	\$6,481	\$6,481	\$7,573	\$9,520	\$9,520	\$9,520
Post-Filter 1 µm	4021056	4021056	4048944	4021058	4021058	4021058
Price (\$)	\$6,106	\$6,106	\$7,198	\$9,145	\$9,145	\$9,145

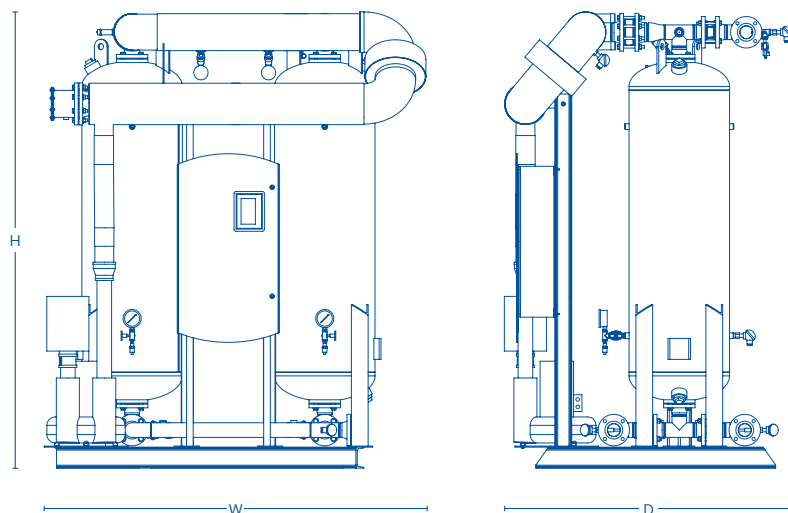
Price Group 82

OPTIONAL EQUIPMENT						
Dew Point Demand Control	4034925					
Price (\$)	\$2,054					
Δp Filter Alarm with Gauge	4029531					
Price (\$)	\$428					
Valve Position Indicators	4034919					
Price (\$)	\$901					
Tower Insulation (indoor only)	4034883	4034889	4034895	4034901	4034907	4034913
Price (\$)	\$3,657	\$4,163	\$4,566	\$5,187	\$5,336	\$5,395

Price Group 63

DRYPOINT® XFi ecoIntelligent Heated Blower Desiccant Dryers

with externally operated blower and 0-3% purge rate using auto-adjusting software and BEKOTOUCH 2 interface



DRYPOINT® XFi	XFi 800	XFi 1000	XFi 1200	XFi 1500	XFi 1800
Connection Size (NPT)	2½" Flange	2½" Flange	3" Flange	3" Flange	4" Flange
Flow Rate (scfm)	800	1000	1200	1500	1800
Dimensions and Weight					
H x W x D (inches)	104 x 77 x 60	106 x 81 x 63	109 x 92 x 70	94 x 91 x 73	110 x 97 x 76
Empty Weight (lbs)	3,600	4,050	4,700	5,852	6,957
Total Fill (lbs)	1,260	1,570	1,890	2,370	2,840

WITHOUT FILTERS

Order ref.	4034916	4034922	4034928	4034934	4034940
Price (\$)	\$46,185	\$53,560	\$59,874	\$66,333	\$74,257

WITH MOUNTED FILTERS

Order ref.	4034917	4034923	4034929	4034935	4034941
Price (\$)	\$50,873	\$58,742	\$65,552	\$72,196	\$88,433

WITH MOUNTED FILTERS AND 3-VALVE BYPASS

Order ref.	4034918	4034924	4034930	4034936	4034942
Price (\$)	\$54,558	\$62,596	\$69,674	\$76,668	\$93,702

Price Group 60

REQUIRED FILTRATION (SHIPPED LOOSE, NOT MOUNTED)

Pre-Filter .01 µm	4020558	4020558	4007153	4007153	4020750
Price (\$)	\$1,992	\$1,992	\$2,362	\$2,362	\$5,418
Post-Filter 1 µm	4021036	4021036	4021037	4021037	4032234
Price (\$)	\$1,933	\$1,933	\$2,303	\$2,303	\$5,043

Price Group 82

OPTIONAL EQUIPMENT

Δp Filter Alarm with Gauge	4029531				
Price (\$)	\$428				
Tower Insulation (indoor only)	4034853	4034859	4034865	4034871	4034877
Price (\$)	\$2,512	\$2,680	\$2,834	\$2,834	\$3,628

Price Group 63

- › Standard outlet pressure dew point: -40 °F
- › Optional outlet pressure dew point: -100 °F
- › Electrical power supply: 460 VAC / 3 Ph / 60 Hz
- › Required pre-filtration grade SX: .01 µm | Required post-filtration grade FX: 1 µm
- › cUL certified controls with NEMA 4 indoor rating
- › Min. / max. inlet air temperature: 40 °F / 120 °F
- › Min. / max. ambient temperature: 40 °F / 120 °F
- › Min. / max. operating pressure: 60 / 150 psig

Maintenance Interval: < 8,000 hours
 Maintenance and Spare Parts: Page 82

DRYPOINT® XFi	XFi 2300	XFi 2800	XFi 3300	XFi 4000	XFi 5000	XFi 6000
Connection Size (NPT)	4" Flange	4" Flange	6" Flange	6" Flange	6" Flange	6" Flange
Flow Rate (scfm)	2300	2800	3300	4000	5000	6000
Dimensions and Weight						
H x W x D (inches)	103 x 120 x 97	117 x 133 x 86	118 x 143 x 96	131 x 133 x 100	129 x 143 x 100	129 x 158 x 103
Empty Weight (lbs)	8,763	10,539	12,419	16,089	16,089	23,456
Total Fill (lbs)	3,640	4,390	5,180	6,260	7,820	9,380

WITHOUT FILTERS

Order ref.	4034946	4034952	4034958	4034964	4034970	4034976
Price (\$)	\$84,362	\$96,929	\$112,882	\$138,213	\$146,077	\$161,122

WITH MOUNTED FILTERS

Order ref.	4034947	4034953	4034959	4034965	4034971	4034977
Price (\$)	\$101,728	\$114,295	\$133,752	\$160,155	\$171,754	\$191,395

WITH MOUNTED FILTERS AND 3-VALVE BYPASS

Order ref.	4034948	4034954	4034960	4034966	4034972	4034978
Price (\$)	\$105,103	\$118,265	\$137,939	\$164,342	\$175,613	\$195,489

Price Group 60

REQUIRED FILTRATION (SHIPPED LOOSE, NOT MOUNTED)

Pre-Filter .01 µm	4020762	4020762	4045133	4047776	4047776	4047776
Price (\$)	\$6,481	\$6,481	\$7,573	\$9,520	\$9,520	\$9,520
Post-Filter 1 µm	4021056	4021056	4048944	4021058	4021058	4021058
Price (\$)	\$6,106	\$6,106	\$7,198	\$9,145	\$9,145	\$9,145

Price Group 82

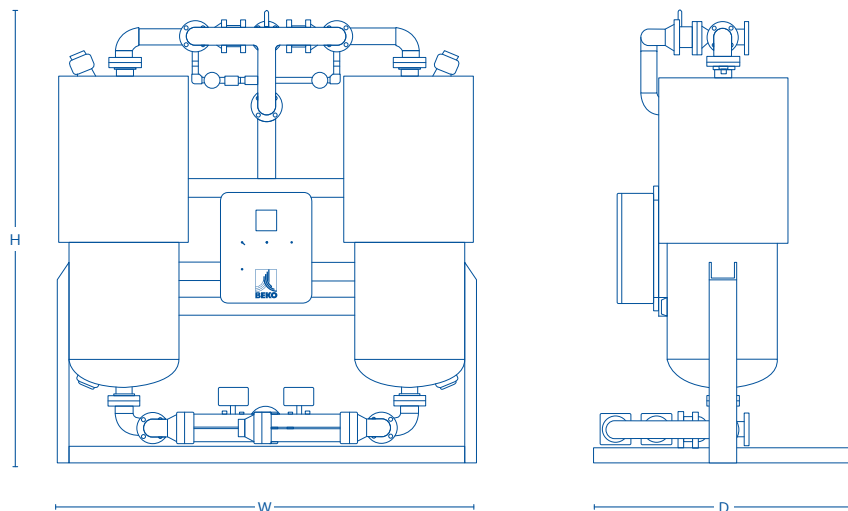
OPTIONAL EQUIPMENT

Δp Filter Alarm with Gauge	4029531					
Price (\$)	\$428					
Tower Insulation (indoor only)	4034883	4034889	4034895	4034901	4034907	4034913
Price (\$)	\$3,657	\$4,163	\$4,566	\$5,187	\$5,336	\$5,395

Price Group 63

DRYPOINT® ACH Heated Purge Desiccant Dryer

with external heated purge and standard PLC controller



DRYPOINT® ACH	ACH 70	ACH 130	ACH 180	ACH 260	ACH 355	ACH 460	ACH 575
Connection Size (NPT)	¾"	1"	1½"	1½"	1½"	2"	2"
Flow Rate (scfm)	70	130	180	260	355	460	575
Dimensions and Weight							
H x W x D (inches)	72 x 50 x 22	72 x 54 x 24	90 x 54 x 36	92 x 60 x 24	92 x 62 x 26	96 x 70 x 42	96 x 72 x 30
Empty Weight (lbs)	475	600	700	1,078	1,225	1,372	1,764
Total Fill (lbs)	100	180	250	360	490	640	800

WITHOUT TOWER INSULATION

Order ref.	4012470	4012471	4012472	4012473	4012474	4012475	4012476
Price (\$)	\$15,645	\$16,023	\$18,795	\$19,415	\$20,428	\$22,998	\$26,762

WITHOUT TOWER INSULATION, MOUNTED FILTERS AND BYPASS

Order ref.	Consult Factory						
Price (\$)	\$16,016	\$17,300	\$20,985	\$22,067	\$23,804	\$27,201	\$31,351

WITH TOWER INSULATION

Order ref.	4022756	4022757	4022758	4022759	4022528	4022760	4022761
Price (\$)	\$17,640	\$18,001	\$20,250	\$21,501	\$23,153	\$26,027	\$30,398

WITH TOWER INSULATION, MOUNTED FILTERS AND BYPASS

Order ref.	Consult Factory						
Price (\$)	\$19,005	\$19,974	\$22,659	\$24,793	\$26,530	\$30,230	\$34,988

Price Group 60

REQUIRED FILTRATION

Pre-Filter .01 µm	4002953	4020384	4002955	4002956	4002957	4002958	4002959
Price (\$)	\$326	\$340	\$412	\$585	\$649	\$810	\$902
Post-Filter 1 µm	4021029	4021030	4024402	4021032	4021033	4007876	4021034
Price (\$)	\$326	\$340	\$412	\$585	\$649	\$810	\$902

Price Group 82

OPTIONAL EQUIPMENT

Dew Point Demand System	4021017						
Price (\$)	\$2,950						

Price Group 63

Drain Upgrade to BEKOMAT®	4047670						
Price (\$)	\$276						

Price Group 12

- › Standard outlet pressure dew point: -40 °F
- › Optional outlet pressure dew point: -100 °F
- › Electrical power supply: 460 VAC / 3 Ph / 60 Hz (ACH 70, 130: 120 VAC / 1 Ph / 60 Hz)
- › Required pre-filtration grade SX: .01 µm | Required post-filtration grade FX: 1 µm
- › NEMA 4 indoor
- › Min. / max. inlet air temperature: 40 °F / 120 °F
- › Min. / max. ambient temperature: 40 °F / 120 °F
- › Min. / max. operating pressure: 60 / 150 psig
- › Optional operating pressure: 250 psig

Maintenance Interval: < 8,000 hours
Maintenance and Spare Parts: Page 85

DRYPOINT® ACH	ACH 720	ACH 1010	ACH 1300	ACH 1725	ACH 2350	ACH 3250	ACH 4050
Connection Size (NPT)	2½"	3" Flange	3" Flange	4" Flange	4" Flange	6" Flange	6" Flange
Flow Rate (scfm)	720	1010	1300	1725	2350	3250	4050
Dimensions and Weight							
H x W x D (inches)	96 x 90 x 38	96 x 96 x 42	108 x 96 x 56	112 x 104 x 48	120 x 120 x 54	120 x 144 x 56	120 x 144 x 60
Empty Weight (lbs)	2,352	4,704	5,390	6,272	8,036	11,760	12,740
Total Fill (lbs)	1,000	1,400	1,800	2,400	3,300	4,500	5,600

WITHOUT TOWER INSULATION

Order ref.	4012477	4012478	4012479	4012480	4012481	4012482	4012483
Price (\$)	\$31,552	\$37,428	\$44,473	\$56,058	\$61,845	\$87,558	\$104,559

WITHOUT TOWER INSULATION, MOUNTED FILTERS AND BYPASS

Order ref.	Consult Factory						
Price (\$)	\$39,432	\$47,145	\$56,922	\$77,325	\$87,098	\$117,600	\$134,873

WITH TOWER INSULATION

Order ref.	4022762	4022763	4022764	4022765	4022766	4022767	4022768
Price (\$)	\$35,414	\$41,519	\$49,171	\$60,753	\$65,601	\$92,873	\$113,873

WITH TOWER INSULATION, MOUNTED FILTERS AND BYPASS

Order ref.	Consult Factory						
Price (\$)	\$43,294	\$49,399	\$61,619	\$82,020	\$90,240	\$119,808	\$140,963

Price Group 60

REQUIRED FILTRATION

Pre-Filter .01 µm	4002961	4002963	4002963	4020750	4020762	4045133	4047776
Price (\$)	\$1,760	\$2,083	\$2,083	\$5,418	\$6,481	\$7,573	\$9,520
Post-Filter 1 µm	4021036	4021037	4021037	4032234	4021056	4047582	4021058
Price (\$)	\$1,760	\$2,083	\$2,083	\$5,418	\$6,481	\$7,573	\$9,520

Price Group 82

OPTIONAL EQUIPMENT

Dew Point Demand System	4021017						
Price (\$)	\$2,950						

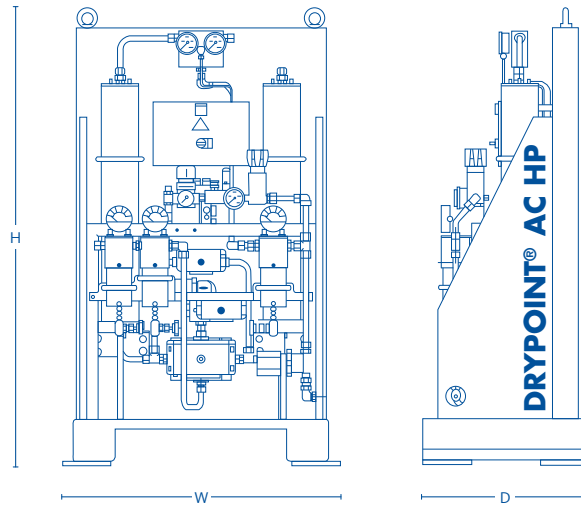
Price Group 63

Drain Upgrade to BEKOMAT®	4047670						
Price (\$)	\$276						

Price Group 12

DRYPOINT® AC HP Heatless High Pressure Desiccant Dryers

full stainless steel components with PLC controller



DRYPOINT® AC HP	AC 60 HP 100	AC 90 HP 100	AC 160 HP 100	AC 250 HP 100	AC 390 HP 100	AC 110 HP 250	AC 145 HP 250	AC 210 HP 250
Connection Size (NPT)	½"	½"	½"	½"	½"	½"	½"	½"
Flow Rate (scfm)	35	50	95	145	230	65	85	125
Max. Pressure (psig)	1450	1450	1450	1450	1450	3600	3600	3600
Dimensions and Weight								
H x W x D (inches)	57 x 31 x 18	59 x 31 x 18	59 x 31 x 18	70 x 31 x 18	70 x 33 x 20	53 x 31 x 18	53 x 31 x 18	66 x 31 x 18
Weight (lbs)	350	350	400	550	570	460	485	540

Price (\$)	ON REQUEST							
-------------------	-------------------	--	--	--	--	--	--	--

Price Group 61

OPTIONAL EQUIPMENT

Purge Air Heater	Consult Factory
Price (\$)	\$3,557
Shock Proofing	Consult Factory
Price (\$)	ON REQUEST
Needle Valve (manual drain)	Consult Factory
Price (\$)	\$657
Auto Drain 115 V / 60 Hz with Timer	4024797
Price (\$)	\$1,945
Vibration Dampening Pads	4034084
Price (\$)	\$216

Price Group 63

- › Standard pressure dew point: -40 °F
- › Optional outlet pressure dew point: -100 °F
- › Vessels and all components are stainless steel
- › Optional pressure approvals: on request
- › Shock and vibration proof systems: on request
- › External low pressure purge attachment: on request
- › Standard electrical power supply: 85 - 265 VAC; 24 Vdc; 50-60 Hz
- › Included pre-filtration grade SX: .01 µm
- › Optional pre-filtration grade FX: 1 µm
- › Included post-filtration grade FX: 1 µm
- › Min. / max. air inlet temperature: 40 °F / 130 °F

Maintenance Interval: < 8,000 hours
Maintenance and Spare Parts: Page 87

DRYPOINT® AC HP	AC 440 HP 250	AC 655 HP 250	AC 145 HP 350	AC 190 HP 350	AC 265 HP 350	AC 540 HP 350	AC 820 HP 350
Connection Size	½"	½"	½"	½"	½"	½"	½"
Flow Rate (scfm)	260	385	85	110	155	315	480
Max. Pressure (psig)	3600	3600	5000	5000	5000	5000	5000
Dimensions and Weight							
H x W x D (inches)	66 x 31 x 18	70 x 33 x 20	53 x 31 x 18	53 x 31 x 18	66 x 31 x 18	66 x 31 x 18	70 x 33 x 20
Weight (lbs)	620	680	460	485	540	620	680

Price (\$)	ON REQUEST
-------------------	-------------------

Price Group 61

OPTIONAL EQUIPMENT	
Purge Air Heater	Consult Factory
Price (\$)	\$3,557
Shock Proofing	Consult Factory
Price (\$)	ON REQUEST
Needle Valve (manual drain)	Consult Factory
Price (\$)	\$657
Auto Drain 115 V / 60 Hz with Timer	4024797
Price (\$)	\$1,945
Vibration Dampening Pads	4034084
Price (\$)	\$216

Price Group 63

DRYPOINT® X Maintenance

■ for all XCe and XCp series desiccant dryers

Maintenance Interval: 8,000 hours

DRYPOINT® X	XCe/XCp 80	XCe/XCp 100	XCe/XCp 120	XCe/XCp 160	XCe/XCp 200	XCe/XCp 250	XCe/XCp 300	XCe/XCp 400	XCe/XCp 500
Complete Exhaust Silencer	4020833	4020834	4020833 x 2	4020835		4020836	4026420 x 2		4020835 x 2
Price (\$)	\$80	\$92	\$80	\$171		\$204	\$98		\$171

Price Group 63

Replacement Element Pre-Filter (0.1 µm)	4038113		4038149	4038114	4038115	4038150	4038151		
Price (\$)	\$122		\$146	\$187	\$203	\$234	\$279		
Replacement Element Post-Filter (1 µm)	4038106		4038140	4038107	4038108	4038141	4038142		
Price (\$)	\$122		\$146	\$187	\$203	\$234	\$279		

Price Group 86

Float Drain Maintenance Kit	4025536								
Price (\$)	\$81								

Price Group 84

BEKOMAT® 31 Service Unit	4023608								
Price (\$)	\$123								
BEKOMAT® 32 Service Unit	4025061								
Price (\$)	\$146								

Price Group 13

DRYPOINT® X	XCe/XCp 650	XCe/XCp 800	XcP 1000	XcP 1200	XcP 1500	XcP 1900	XcP 2300	XcP 2800
Exhaust Silencer Element	-		4029620 (8/Dryer)		4029621 (8/Dryer)			
Price (\$)	-		\$91 ea.		\$121 ea.			
Complete Exhaust Silencer	4020836 x 2		4044005 (2/Dryer)		4044006 (2/Dryer)			
Price (\$)	\$204		\$553 ea.		\$628 ea.			
Butterfly Valve Disc Seal Kit	-		4032037	4032038		4032039		
Price (\$)	-		\$55	\$72		\$91		

Price Group 63

Replacement Element Pre-Filter (0.1 µm)	4038116		4038154	4038155	4038156	4038117 x 3		
Price (\$)	\$392		\$443	\$658	\$741	\$1,098		
Replacement Element Post-Filter (1 µm)	4038109		4038145	4038146	4038147	4038110 x 3		
Price (\$)	\$392		\$443	\$658	\$741	\$1,098		

Price Group 86

Float Drain Maintenance Kit	4025536								
Price (\$)	\$79								

Price Group 84

BEKOMAT® 31 Service Unit	4023608								
Price (\$)	\$123								
BEKOMAT® 32 Service Unit	4025061								
Price (\$)	\$146								

Price Group 13

DRYPOINT® X Maintenance

■ for all XCe and XCp series desiccant dryers

Maintenance Interval: 16,000 hours

DRYPOINT® X	XCe/XCp 80	XCe/XCp 100	XCe/XCp 120	XCe/XCp 160	XCe/XCp 200	XCe/XCp 250	XCe/XCp 300	XCe/XCp 400	XCe/XCp 500	XCe/XCp 650	XCe/XCp 800
Inlet Valve Actuator	4027892	4027893		4027894		4027895		4027896		4027897	
Price (\$)	\$222	\$239		\$304		\$319		\$596		\$723	
Exhaust Valve	4020800			4020802		4026416		4020804		4020806	
Price (\$)	\$202			\$219		\$268		\$282		\$305	
Exhaust Valve Actuator	4027887			4027888		4027889		4027890		4027891	
Price (\$)	\$137			\$149		\$181		\$192		\$210	
¾" Valve Service Seal Kit						4027898					
Price (\$)						\$12					
1" Valve Service Seal Kit						4027899					
Price (\$)						\$15					
1¼" Valve Service Seal Kit						4027900					
Price (\$)						\$28					
1½" Valve Service Seal Kit						4027901					
Price (\$)						\$33					
2" Valve Service Seal Kit						4027902					
Price (\$)						\$45					
2½" Valve Service Seal Kit						4027903					
Price (\$)						\$105					

Price Group 63

■ activated alumina desiccant filling material

Maintenance Interval: 24,000 hours

DRYPOINT® X	XCe/XCp 80	XCe/XCp 100	XCe/XCp 120	XCe/XCp 160	XCe/XCp 200	XCe/XCp 250	XCe/XCp 300	XCe/XCp 400
Order ref. ½" diameter	4027023	4027023	4027023	4027023	4027023	4027022	4027022	4027022
Unit of Measure	25 lb bag					Bulk		
Order qty.	4	6	6	10	10	384	384	539
Price (\$)	\$528	\$792	\$792	\$1,320	\$1,320	\$1,421	\$1,421	\$1,995

DRYPOINT® X	XCe/XCp 500	XCe/XCp 650	XCe/XCp 800	XCp 1000	XCp 1200	XCp 1500	XCp 1900	XCp 2300	XCp 2800
Order ref. ½" diameter	4027022	4027022	4027022	4027022	4027022	4027022	4027022	4027022	4027022
Unit of Measure	Bulk								
Order qty.	715	917	1114	1120	1355	1840	2110	3125	3125
Price (\$)	\$2,646	\$3,393	\$4,122	\$4,144	\$5,014	\$6,808	\$7,807	\$11,563	\$11,563

Price Group 63

DRYPOINT® X Spare Parts

■ standard replacement components for XCe and XCp series desiccant dryers

DRYPOINT® X	XCe/XCp 80	XCe/XCp 100	XCe/XCp 120	XCe/XCp 160	XCe/XCp 200	XCe/XCp 250	XCe/XCp 300	XCe/XCp 400	XCe/XCp 500	XCe/XCp 650	XCe/XCp 800
Outlet Check Valve	4020820	4020822		4026421		4020821		4020823		4020816	
Price (\$)	\$27	\$34		\$52		\$77		\$108		\$239	
Pressure Relief Safety Valve	4026666			4026667		4026668			4026669		
Price (\$)	\$39			\$58		\$106			\$286		
Complete Dryer Inlet Valve	4020801	4020803		4026417		4020805		4020807		4032458	
Price (\$)	\$221	\$242		\$277		\$318		\$615		\$653	
Complete Dryer Exhaust Valve	4020800			4020802		4026416			4020804		4020806
Price (\$)	\$204			\$220		\$285			\$287		\$304
Purge Flow Control Valve	4020764				4020765			4020766			
Price (\$)	\$76				\$105			\$194			

DRYPOINT® X	XCp 1000	XCp 1200	XCp 1500	XCp 1900	XCp 2300	XCp 2800
Outlet Check Valve	4029374		4029375		4029376	
Price (\$)	\$286		\$321		\$446	
Pressure Relief Safety Valve	4026669	4026670		4026671		4026672
Price (\$)	\$357	\$439		\$515		\$675
Purge Flow Control Valve	4032820		4032819		4032822	
Price (\$)	\$41		\$61		\$82	
Complete Exhaust Silencer	4044005 (2/Dryer)			4044006 (2/Dryer)		
Price (\$)	\$553 ea.			\$628 ea.		

Price Group 63

Standardized Replacement Parts	Order ref.	Price (\$)
BEKOMINI Controller for All XCe Models	4026540	\$359
BEKOTOUCH Controller for All XCp Models	4026721	\$586
BEKOTOUCH Display Screen for All XCp Models	4026720	\$1,010
Complete Solenoid Valve Assembly for XCe/XCp 80-800	4024046	\$492
Complete Solenoid Valve Assembly for XCp 1000-2800	4029193	\$829
2½" 0-160 psig Pressure Gauge for All XCe Models	4026663	\$18
2½" 0-160 psig Pressure Gauge for All XCp Models	4026664	\$33
Complete Humidity Sensor Assembly for All XCp Models	4027695	\$255
Gauge Clamp for All XCp Models	4026665	\$9
¼" 20-130 psig Filter Regulator Combo for All XCe/XCp Models	4026419	\$90
Filter Element for Filter Regulator Combo	4038241	\$3
Replacement Brass Cone Silencer for All XCe/XCp Models	4026418	\$6
Replacement On/Off Switch for XCp 80-2800	4029399	\$83
Replacement Speed Control for All XCe/XCp Models	4027427	\$22

Always refer to the installation and operating manual supplied with the dryer being serviced

Price Group 63

■ replacement desiccant filling material

Replacement Activated Alumina (25 lb. bags)		
¼" (other varieties available on request)		
All models and fill weights	4027023	\$132 ea.
Replacement Activated Alumina (bulk material)		
¼" (other varieties available on request)		
For fill weights of 300+ lbs	4027022	\$3.70 per lb

Price Group 63

DRYPOINT® ACH Maintenance

■ for all ACH series desiccant dryers

Maintenance Interval: 8,000 hours

DRYPOINT® ACH	ACH 70	ACH 130	ACH 180	ACH 260	ACH 355	ACH 460	ACH 575	ACH 720	ACH 1010	ACH 1300	ACH 1725	ACH 2350	ACH 3250	ACH 4050
Replacement Element Pre-Filter (.01 µm)	4038112	4038113	4038149	4038114	4038115	4038150	4038151	4038152	4038153	4038116	4038117 x 2	4038117 x 3	4038117 x 4	4038117 x 7
Price (\$)	\$115	\$122	\$146	\$187	\$203	\$234	\$279	\$310	\$361	\$392	\$732	\$1,098	\$1,464	\$2,562
Replacement Element Post-Filter (1 µm)	4038105	4038106	4038140	4038107	4038108	4038141	4038142	4038143	4038144	4038109	4038110 x 2	4038110 x 3	4038110 x 4	4038110 x 7
Price (\$)	\$115	\$122	\$146	\$187	\$203	\$234	\$279	\$310	\$361	\$392	\$732	\$1,098	\$1,464	\$2,562
Price Group 86														
1/8" Activated Alumina (25 lb. bags)	4027023 x 4	4027023 x 8	4027023 x 10	4027023 x 16	4027023 x 20	4027023 x 26	4027023 x 32	4027023 x 40	4027023 x 56	4027023 x 72	4027023 x 96	4027023 x 132	4027023 x 180	4027023 x 224
Weight in lbs.	100	180	250	360	490	640	800	1,000	1,400	1,800	2,400	3,300	4,500	5,600
Price (\$)	\$528	\$1,056	\$1,320	\$1,440	\$1,800	\$1,960	\$3,200	\$4,000	\$5,600	\$7,200	\$9,600	\$13,200	\$18,000	\$22,400
Price Group 63														

DRYPOINT® ACH Spare Parts

■ replacement desiccant filling material

Replacement Activated Alumina (25 lb bags)		
1/8" (other varieties available on request)		
All models and fill weights	4027023	\$132 ea.
Replacement Activated Alumina (bulk material)		
1/8" (other varieties available on request)		
For fill weights of 300+ lbs	4027022	\$3.70 per lb
Price Group 63		

DRYPOINT® ACC Maintenance

■ complete maintenance kits

Maintenance Interval: see below

Dryer Model	Annual Maintenance				Maintenance Kit A				Maintenance Kit B			
	with Float Drain		with BEKOMAT®		with Float Drain		with BEKOMAT®		with Float Drain		with BEKOMAT®	
	Order ref.	Price (\$)	Order ref.	Price (\$)	Order ref.	Price (\$)	Order ref.	Price (\$)	Order ref.	Price (\$)	Order ref.	Price (\$)
ACC 4					4048826	\$375	4023687	\$386	4048843	\$1,199	4023705	\$1,199
ACC 6					4048827	\$437	4023688	\$450	4048844	\$1,261	4023706	\$1,261
ACC 8					4048828	\$487	4023689	\$502	4048845	\$1,311	4023707	\$1,311
ACC 10	4048821	\$201	4022723	\$201	4048829	\$593	4023690	\$593	4048846	\$1,417	4023708	\$1,417
ACC 15					4048830	\$724	4023691	\$724	4048847	\$1,548	4023709	\$1,548
ACC 25					4048831	\$811	4023692	\$811	4048848	\$1,636	4023710	\$1,636
ACC 35					4048832	\$1,093	4023693	\$1,093	4048849	\$1,916	4023711	\$1,916
ACC 45					4048833	\$1,186	4023694	\$1,186	4048850	\$2,372	4023712	\$2,372
ACC 55	4048822	\$235	4022724	\$235	4048834	\$1,280	4023695	\$1,280	4048851	\$2,465	4023713	\$2,465
ACC 65					4048835	\$1,436	4023696	\$1,436	4048852	\$2,621	4023714	\$2,621
ACC 85					4048836	\$1,623	4023697	\$1,623	4048853	\$2,809	4023715	\$2,809
ACC 105	4048823	\$251	4022725	\$251	4048837	\$1,998	4023698	\$1,998	4048854	\$3,183	4023716	\$3,183

Price Group 69

Annual Maintenance (1-year) Kit includes: pre-filter replacement element and drain service kit.

Maintenance Kit A (2-year) includes: all components in the 1-year kit plus desiccant cartridges, pre-filter replacement element, drain service kit, sealing o-rings with washers and service manual.

Maintenance Kit B (4-year) includes: all components in the 1-year and 2-year kits plus a complete valve service kit and service manual.

NOTE: preventative maintenance is to be performed at intervals of 1-year, 2-years and 4-years or 6,000, 12,000 and 24,000 hours-whichever comes first.

DRYPOINT® ACC Spare Parts

■ for all models

DRYPOINT® ACC	Order ref.	Price (\$)
Valve Service Kit for ACC 4 - 35	4022889	\$815
Valve Service Kit for ACC 45 - 175	4022890	\$1,174
Shuttle Valve Kit for ACC 4 - 35	4035867	\$113
Shuttle Valve Kit for ACC 45 - 175	4035868	\$262
Silencer for ACC 4	4035862	\$144
Silencer for ACC 6 - 35	4035863	\$144
Silencer for ACC 45 - 85	4035864	\$317
Silencer for ACC 105 - 175	4035865	\$474
Diaphragm Kit Top for ACC 4 - 35	4022206	\$160
Diaphragm Kit Bottom for ACC 4 - 35	4022208	\$160
Controller for ACC 4 - 35	4027273	\$1,232
Controller for ACC 45 - 365	4027027	\$1,936

Price Group 69

DRYPOINT® AC HP Maintenance

- replacement filter elements, maintenance parts, and select spare parts

Maintenance Interval: < 8,000 hours

Filter Housing	CX 25 µm	FX 1 µm	SX .01 µm	A .003 ppm	Price (\$)
HP100S040	4007820	4007822	4007823	4007824	\$246
HP100S045	4007827	4007829	4007830	4007831	\$319
HP100S050	4007835	4007839	4007841	4007843	\$400
HP100S055	4007836	4007840	4007842	4007844	\$471
HP100S075	4007849	4007853	4007855	4007857	\$527
HP100M010	4007850	4007854	4007856	4007858	\$609
HP100M015	4007863	4007867	4007869	4007871	\$672
HP100M020	4007864	4007868	4007870	4007872	\$911
HP350S030	4007820	4007822	4007823	4007824	\$246
HP350S040	4007827	4007829	4007830	4007831	\$319
HP350S045	4007835	4007839	4007841	4007843	\$400
HP350S050	4007836	4007840	4007842	4007844	\$471
HP350S075	4007849	4007853	4007855	4007857	\$527
HP350M010	4007850	4007854	4007856	4007858	\$609
HP350M012	4007863	4007867	4007869	4007871	\$672
HP350M015	4007864	4007868	4007870	4007872	\$911

Price Group 84

Maintenance Interval: see manual

Maintenance Parts	Installation Location (diagram in manual)	Order ref.	Price (\$)
1" Standard Silencer	X11	4016160	\$326
1" Low-noise Silencer	X11A	4016161	\$171
Safety Valve	S3	4016162	\$69
Water Resistant Desiccant per 2 lbs	-	4016163	\$95
Water Resistant Desiccant per 7 lbs	-	4016164	\$284
Molecular Sieve Desiccant per 2 lbs	-	4016165	\$130
Molecular Sieve Desiccant per 9 lbs	-	4016166	\$515
Sealing Kit (non-return valve)	-	4022984	\$403

Price Group 63

Select Spare Parts	Installation Location on Diagram in Manual	Order ref.	Price (\$)
Changeover Valve	V1/2	4016144	\$7,282
Pressure Build-up Valve	V3	4016145	\$4,121
Pressure Release Valve	V4	4016146	\$4,521
Complete Valve Set	V1-V4, R1-R4	4016147	\$19,617
Non-return Valve Block	R1-R4	4016149	\$3,700
Non-return Valve	R5	4016148	\$255
Pressure Controller (up to 6,092 psig)	X13	4016150	\$4,255
Second Stage Pressure Reducer	X2	4016151	\$294
Pneumatic Pilot Valves	Y1-Y4	4016152	\$1,124
Needle Valve (manual drain)	H3-H5	4016153	\$325
Pressure Gauge 0-232 psig	PI 1.4	4016154	\$93
Pressure Gauge 0-375 psig	PI 1.3	4016155	\$93
Pressure Gauge 0-4,351 psig	PI 1.1/1.2	4016156	\$93
Pressure Gauge 0-5,800 psig	PI 1.1/1.2	4016157	\$93
Pressure Gauge 0-8,700 psig	PI 1.1/1.2	4016158	\$270
Auto Drain (5,076 psig, 15 V without cable)	-	4024797	\$1,945
Vessel Sieve	X5	4016159	\$331
Adapter for Vessel Ø12mm/116m	-	4024859	\$331
Sealing Kit for ½" Vessel	-	4024858	\$84
Electronic Control Unit 24 VDC	-	XE ACHP 26400	\$2,951
Electronic Control Unit 230 VAC	-	XE ACHP 26405	\$3,497

Price Group 63